

OLE



Supply air diffusers and exhaust air devices for suspended and coffered ceilings, combining modern and stylish design, excellent air and sound properties, and uniquely easy installation.

OLE

OLE, equipped with fully directable nozzles, creates a whirling horizontal throw pattern. Thanks to its directable nozzles, the throw pattern of OLE is easy to change after installation, for example if the purpose of the room is changed. The OLE is suitable for both constant and variable airflows, and its high mixing ratio also allows cooled supply air. OLE Z is designed for suspended ceilings with a concealed T-grid.



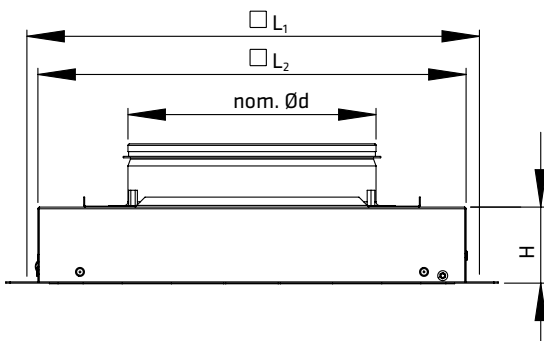
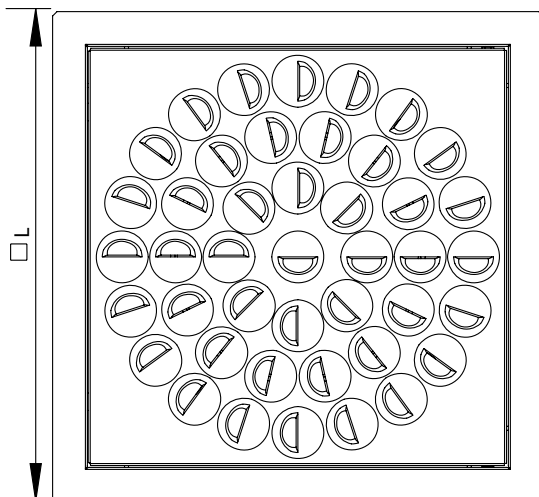
Product code

Twist-supply diffuser **OLE-250-600+Z+TAK 200/250**
 1 2 3 4 5 6 7

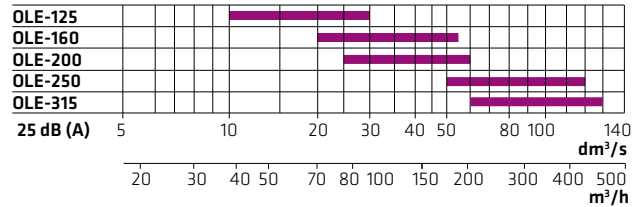
- 1 = Twist-supply diffuser OLE
- 2 = Connection diameter
- 3 = Panel size of suspended/coffered ceiling
- 4 = Lowered diffuser part
- 5 = Balancing plenum box TAK
- 6 = Balancing plenum box duct size
- 7 = Balancing plenum box connection to diffuser

Dimensions

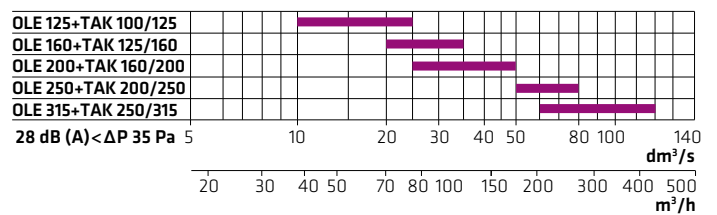
OLE



Quick guide OLE



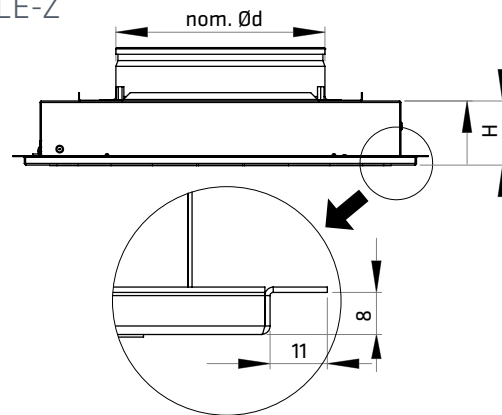
Quick guide OLE+TAK



Materials and surface treatment

The directable-nozzle twist-supply diffuser OLE is manufactured from sheet steel with the nozzles made of plastics. The standard colour is Traffic White RAL 9016. Special colours available on request. For colour options, see colour chart RAL K1. Nozzles are available in white, black and metallic grey.

OLE-Z



	nom. Ød	□L	H	□L ₁	□L ₂	kg
OLE-125-400	125	395	61	365	344	6,5
OLE-160-400	160	395	61	365	344	6,5
OLE-200-400	200	395	61	365	344	6,5
OLE-125-600	125	595	81	565	544	6,5
OLE-160-600	160	595	81	565	544	6,5
OLE-200-600	200	595	81	565	544	6,5
OLE-250-600	250	595	81	565	544	6,5
OLE-315-600	315	595	81	565	544	6,5
OLE-125-400Z	125	395	61	365	344	6,5
OLE-160-400Z	160	395	61	365	344	6,5
OLE-200-400Z	200	395	61	365	344	6,5
OLE-125-600Z	125	595	81	565	544	6,5
OLE-160-600Z	160	595	81	565	544	6,5
OLE-200-600Z	200	595	81	565	544	6,5
OLE-250-600Z	250	595	81	565	544	6,5
OLE-315-600Z	315	595	81	565	544	6,5

Superior installability

OLE includes a unique sideways adjustable diffuser part to make installation easier.

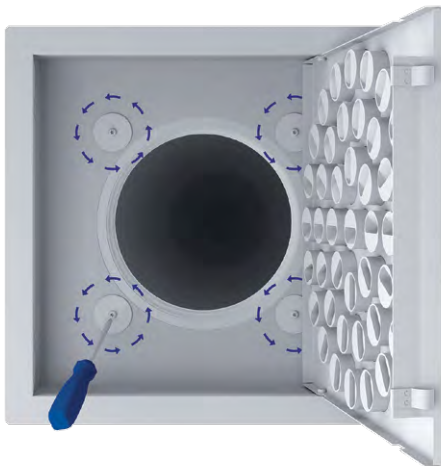
- 1.** Open the diffuser lock.



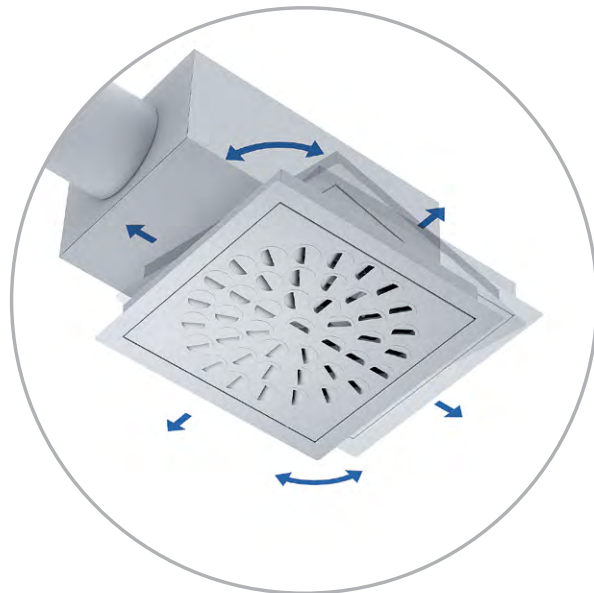
- 2.** Turn down the diffuser part.



- 3.** Loosen the locking screws (two revolutions) to enable adjustment.



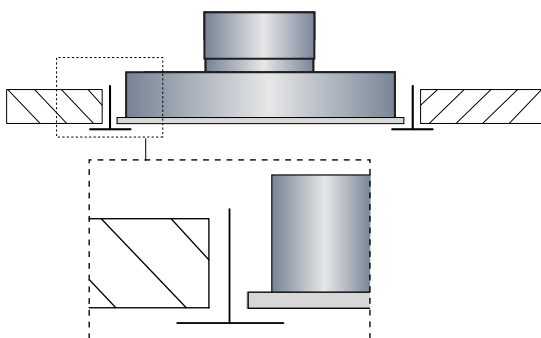
- 4.** Place the device in its correct position and tighten the locking screws.



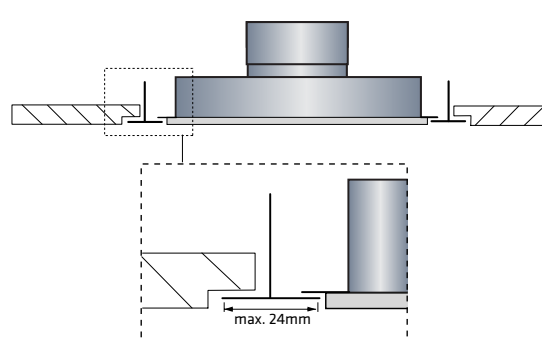
Ceiling construction options

OLE is available for smooth ceiling surfaces and T-grid ceiling structures with both visible and concealed grids.

- 1.** Smooth ceiling surface



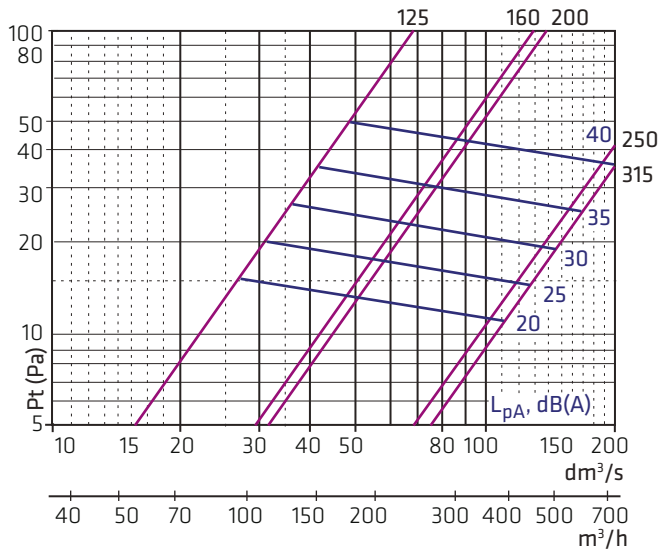
- 2.** T-grid ceiling with concealed grid



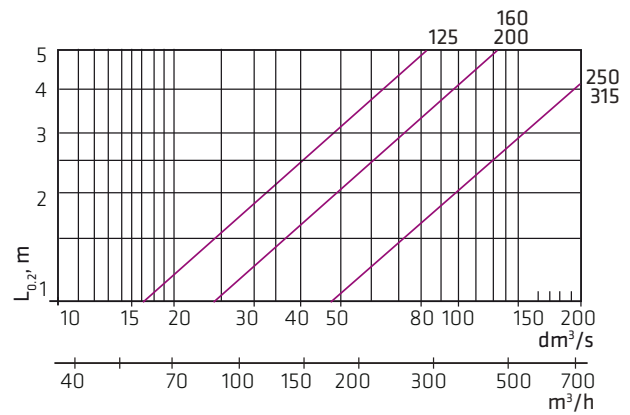
Dimensioning OLE

The graphs are not intended for adjustment. The change of the module size doesn't affect the performance.

Airflow - pressure loss - sound level



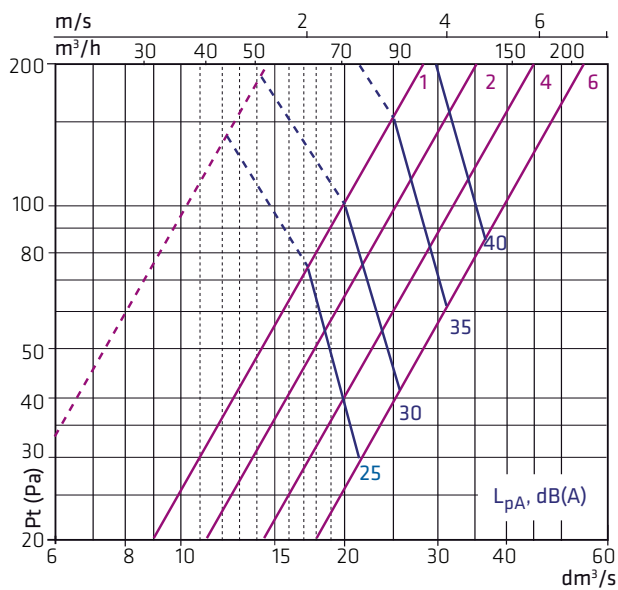
Airflow - throw length - twist supply



Conversion factors OLE

Blow direction	Throw length $L_{0,2}$
4 directions	1,5
3 directions	2,0
2 directions	2,5
1 directions	4,0

OLE-125 + TAK-100/125



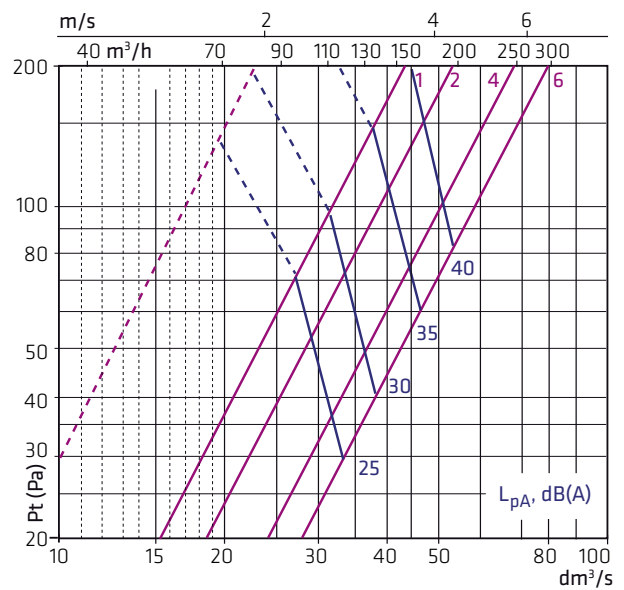
$$L_{w\text{okt}} = L_{pA10} + K$$

	f, Hz	63	125	250	500	1k	2k	4k	8k
OLE-125	K, dB	-5	1	2	3	-1	-5	-9	-13
OLE-125+TAK	K, dB	1	7	6	-1	-1	-5	-9	-14

ΔL (dB)

	f, Hz	63	125	250	500	1k	2k	4k	8k
OLE-125	ΔL, dB	18	12	5	-1	4	1	1	2
OLE-125+TAK	ΔL, dB	15	8	5	8	16	14	14	15

OLE-160 + TAK-125/160



$$L_{w\text{okt}} = L_{pA10} + K$$

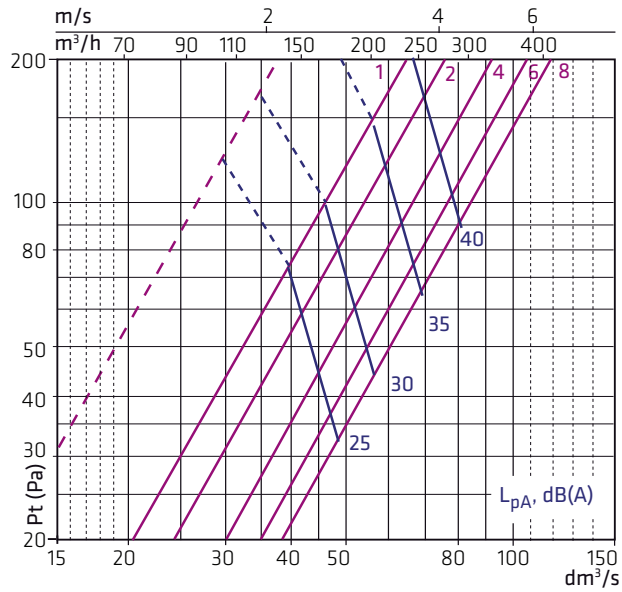
	f, Hz	63	125	250	500	1k	2k	4k	8k
OLE-160	K, dB	-5	3	2	3	-1	-6	-9	-14
OLE-160+TAK	K, dB	2	7	5	-1	-1	-4	-12	-14

ΔL (dB)

	f, Hz	63	125	250	500	1k	2k	4k	8k
OLE-160	ΔL, dB	18	12	6	-1	3	1	1	1
OLE-160+TAK	ΔL, dB	15	7	6	8	16	13	13	15

Wider adjustment range ----- = adjustment plate nozzles partly plugged

OLE-200 + TAK-160/200



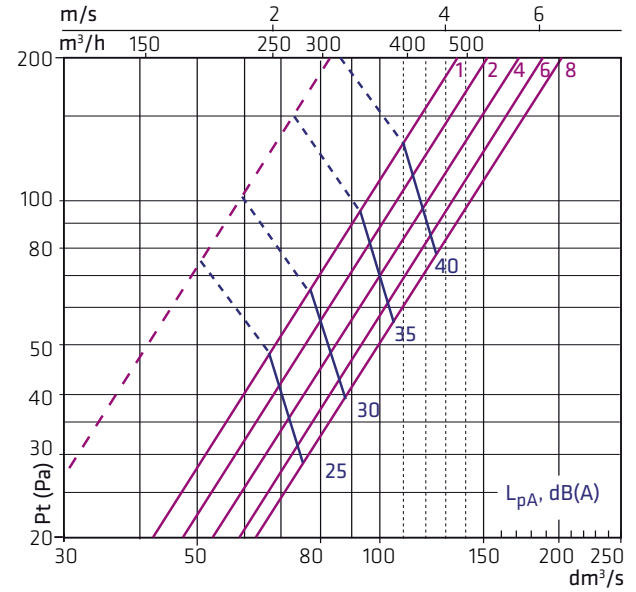
$L_{w\text{okt}} = L_{pA10} + K$

	f, Hz	63	125	250	500	1k	2k	4k	8k
OLE-200	K, dB	-6	-4	1	4	3	-7	-15	-22
OLE-200+TAK	K, dB	3	8	4	5	1	-8	-14	-19

ΔL (dB)

	f, Hz	63	125	250	500	1k	2k	4k	8k
OLE-200	ΔL, dB	15	10	4	1	1	1	1	3
OLE-200+TAK	ΔL, dB	16	7	8	9	17	16	17	16

OLE-250 + TAK-200/250



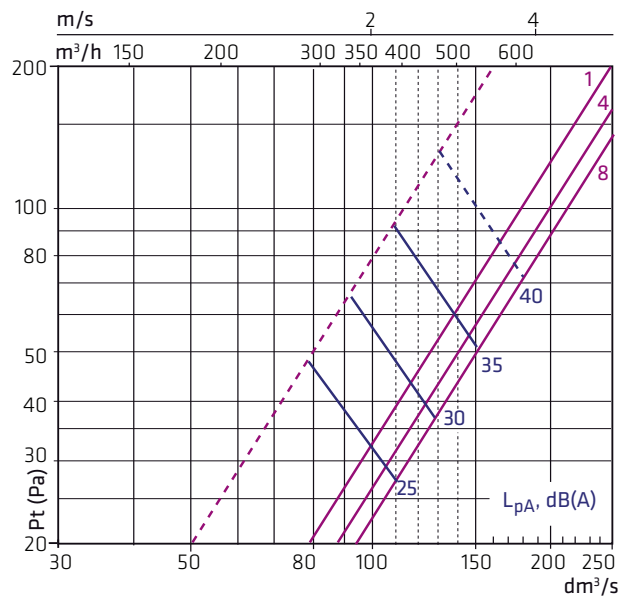
$L_{w\text{okt}} = L_{pA10} + K$

	f, Hz	63	125	250	500	1k	2k	4k	8k
OLE-250	K, dB	-2	5	6	7	1	-5	-11	-20
OLE-250+TAK	K, dB	4	10	3	3	1	-8	-14	-18

ΔL (dB)

	f, Hz	63	125	250	500	1k	2k	4k	8k
OLE-250	ΔL, dB	11	7	1	1	0	1	1	4
OLE-250+TAK	ΔL, dB	15	5	6	8	15	14	13	15

OLE-315 + TAK-250/315



$L_{w\text{okt}} = L_{pA10} + K$

	f, Hz	63	125	250	500	1k	2k	4k	8k
OLE-315	K, dB	-2	5	5	8	1	6	-11	-18
OLE-315+TAK	K, dB	3	11	3	2	1	-4	-12	-16

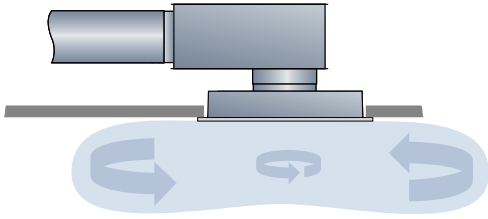
ΔL (dB)

	f, Hz	63	125	250	500	1k	2k	4k	8k
OLE-315	ΔL, dB	11	8	1	1	0	1	1	3
OLE-315-TAK	ΔL, dB	15	6	6	13	14	13	12	12

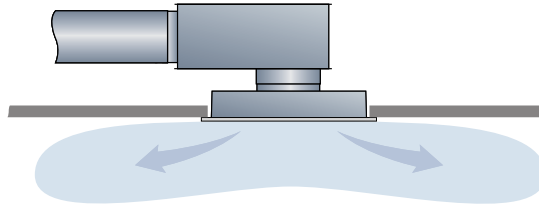
Wider adjustment range ----- = adjustment plate nozzles partly plugged

The throw pattern of OLE can be changed

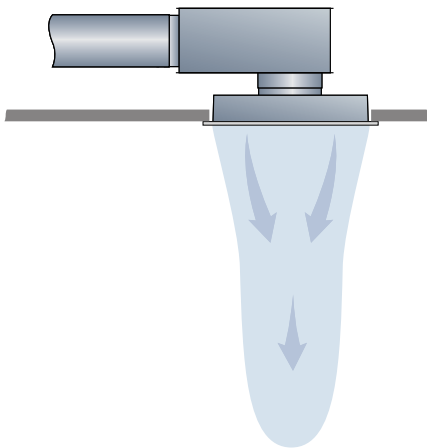
Twist supply = standard



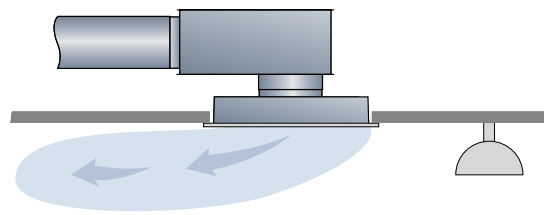
4 directions 360°



Vertical



Directed



The direction of the nozzles has no effect on the airflow or sound level.