

# Air conditioner

---

## Installation manual

PC1MWFMAN / PC1NWFMAN / PC1BWFMAN

---

- Thank you for purchasing this Samsung air conditioner.
- Before operating this unit, please read this manual carefully and retain it for future reference.



DB68-07556A-00

**SAMSUNG**


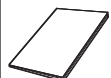
# 1 Way Cassette Wind-free Panel

## If the Wind-free function is not visible on the higher-level controller after connecting the Wind-free panel:

- Check if the software of the higher-level controller is the latest version.
  - If the software is not the latest version, update to the latest version.
  - If the software of the higher-level controller is the latest version but the Wind-free function is not visible on it, perform tracking again on the higher-level controller or reset its power.
- ※ Higher-level controller: DMS, Touch Centralized Controller, Wi-Fit kit, or other device

Models : PC1MWFMAN / PC1NWFMAN / PC1BWFMAN

## Accessories

Item	M4x25 screw	Installation manual (1)	Screw	Tightening torque (N·m)
Shape	 PC1MWFMAN : (5) PC1NWFMAN : (6) PC1BWFMAN : (7)		M4 (L25)	1.2~1.8

## ⚠ CAUTION

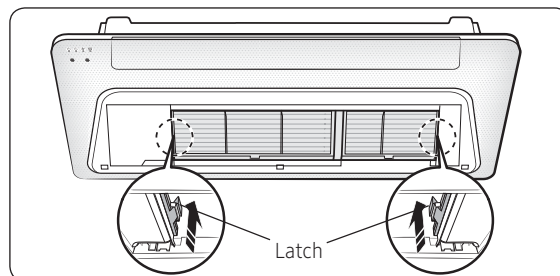
- After installing the product, be sure to explain to the user how to use the air conditioner.

## Installing the panel

## ⚠ CAUTION

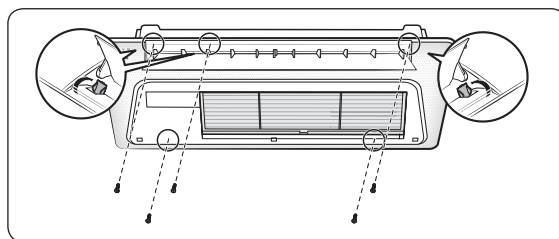
- Handle the panel carefully.
- Do not lean the panel against a wall or place it on a protruding object. Failing to do so may damage the surface of the panel.
- Be careful when installing the air inlet panel by hand. You may get hurt.

- 1 Fix the panel by engaging the latches at its both sides onto the grooves on the both sides of the indoor unit.

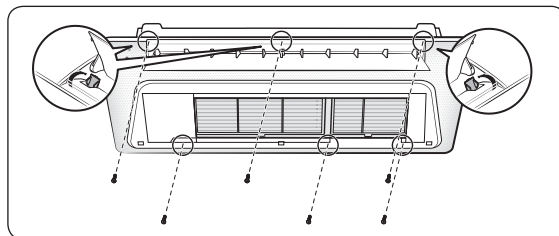


- 2 Open the screw cover on the air outlet, insert and fasten the panel fixing screws. If the screws are not fastened completely, it may produce a gap between the indoor unit and the panel, resulting in condensation.

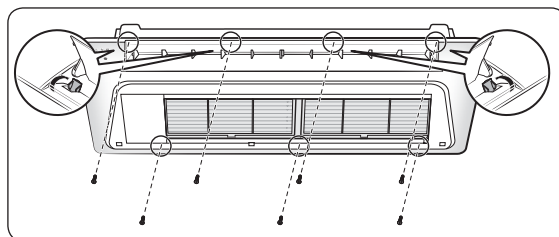
### PC1MWFMAN



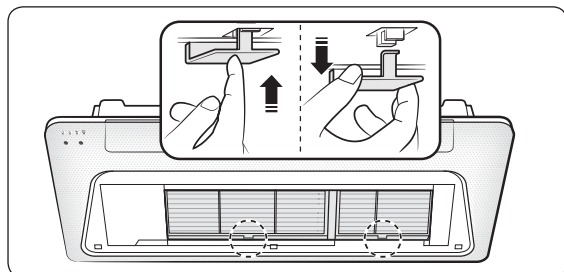
### PC1NWFMAN



### PC1BWFMAN

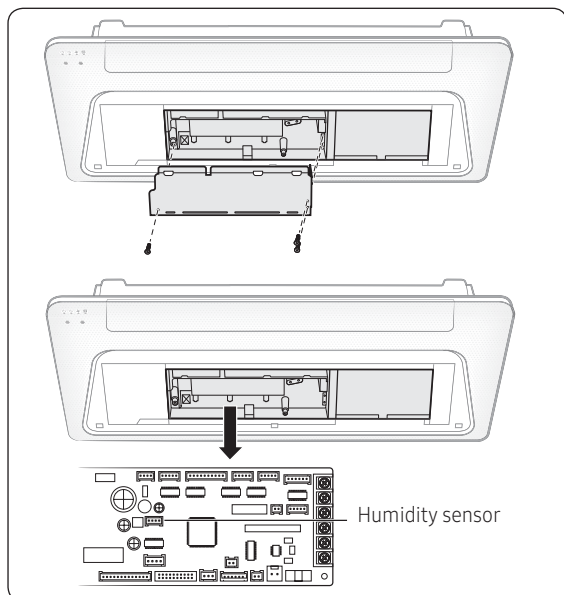


- 3 Open the air filter by pushing the 2 [PUSH] signs.



- 4 Perform wiring between the indoor unit and the panel:

- Unfasten the 3 screws from the electrical part, and then remove the electrical part.
- Connect the connectors on the panel to the connectors on the indoor unit PCB:
  - Connect the connectors of the swing motor, remote control sensor, and humidity sensor on the panel to their respective connectors on the indoor unit PCB.
  - Make sure that the colours of the connectors match each other.
- Reassemble the electrical part.
- Close the air filter.



**NOTE**

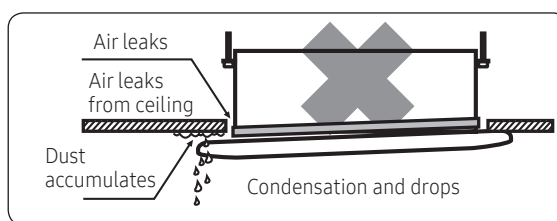
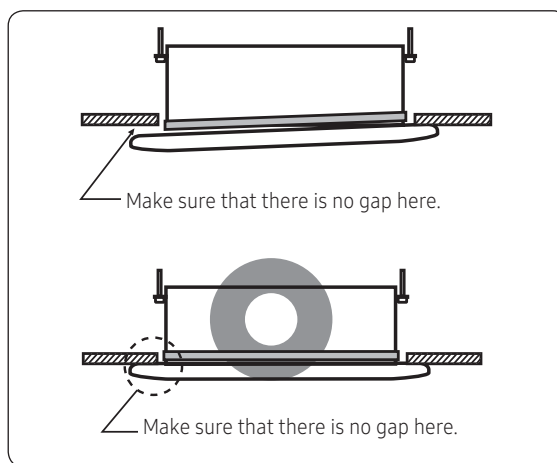
- If any connector is not connected or is connected to a different colour connector, both the air conditioner and the remote control will not operate.

- 5 Check whether the panel is firmly fixed to the indoor unit.

- Make sure that the screws are fastened tightly until there is no gap between the ceiling and the panel, and that the panel is installed in parallel with the ceiling and the ceiling joints:
  - If there is a gap between the ceiling and the panel, adjust the height of the indoor unit.

**CAUTION**

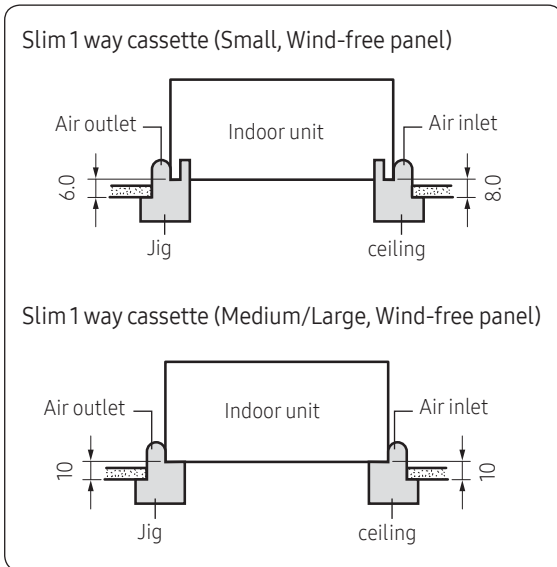
- If the panel is installed incorrectly onto the cassette, air may leak out.



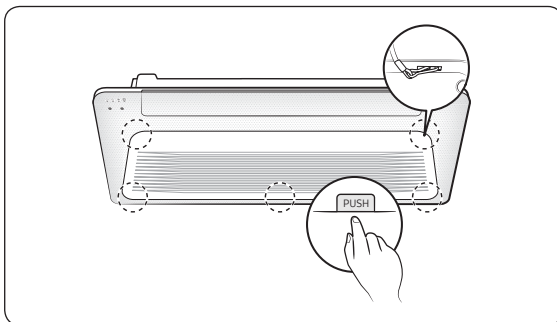
Incomplete installation (fastening) produces the problems as shown in the figure. Be sure to check again after the installation.

- When installing the panel, if there are any gaps between the panel and the indoor unit due to incomplete installation (fastening), air and condensation water may leak into the room. Be sure to remove gaps by using the indoor unit installation gauges (on the pattern sheet for installation).
  - For detailed specifications, refer to the installation manual for the product.

# 1 Way Cassette Wind-free Panel



- 6 Connect the grill.
- Hook the 2 panel safety hooks onto both sides of the grill.
  - Push the [PUSH] sign to fix the grill.



- NOTE**
- Before working on the grill, be sure to hook the panel safety hooks onto both sides of the grill to prevent it from falling during work.

# Memo

---

This product is RoHS compliant.

